



**Machine Power Requirements**

190-250 VAC, 1PH, 50/60Hz, 15A

**Operator PC Power Requirements**

100-240VAC, 1PH, 50/60Hz, 3A  
 Supplied with 115VAC U.S. plugs

NAME	DATE	MAD Series Plasma Table	
DKH	10/2016	Sheet Name: Cover Sheet	
DKH	03/2017		
Date: 4/14/2017		Sheet 1 of 7	Rev: 3
		Size: Letter	



100  
110  
120  
130  
140  
150  
160  
170  
180  
190  
200  
210  
220  
230  
240  
250  
260  
270  
280  
290  
300  
310  
320  
330  
340  
350  
360  
370  
380  
390  
400  
410  
420  
430  
440

**POWER ENTRY**  
Wires supplied by end user

Connect to M5 ground bolt in backplane by cable entrance.

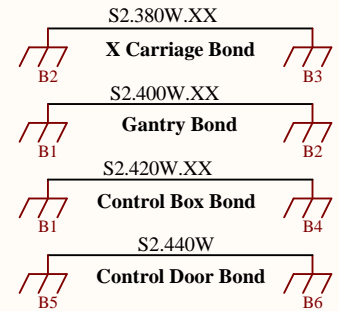
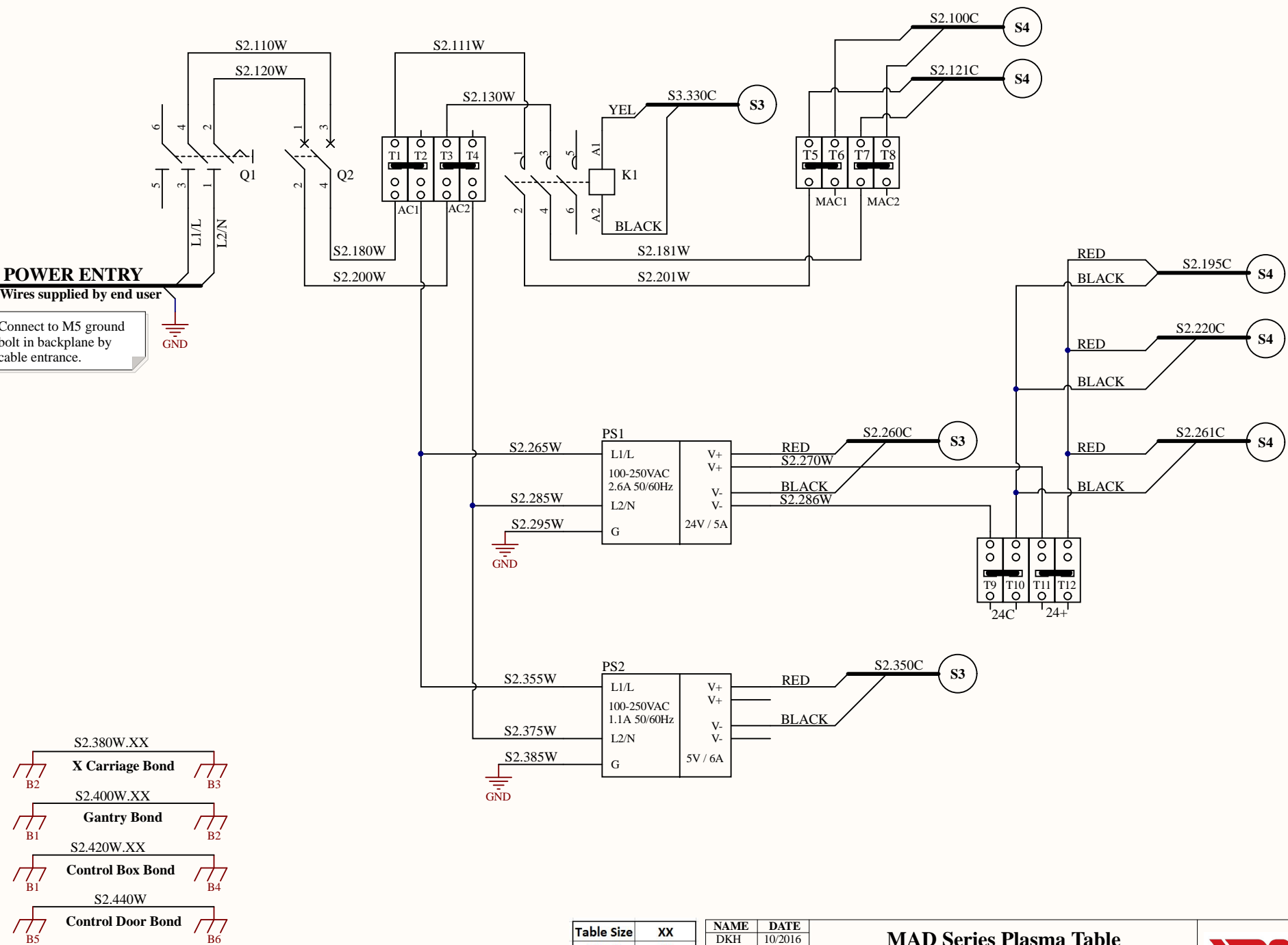


Table Size	XX
4' x 4'	44
4' x 8'	48
5' x 10'	51

NAME	DATE
DKH	10/2016
DKH	03/2017

MAD Series Plasma Table		
Sheet Name: Power Distribution		Rev: 3
Date: 4/14/2017	Sheet 2 of 7	Size: Letter



100  
110  
120  
130  
140  
150  
160  
170  
180  
190  
200  
210  
220  
230  
240  
250  
260  
270  
280  
290  
300  
310  
320  
330  
340  
350  
360  
370  
380  
390  
400  
410  
420  
430  
440

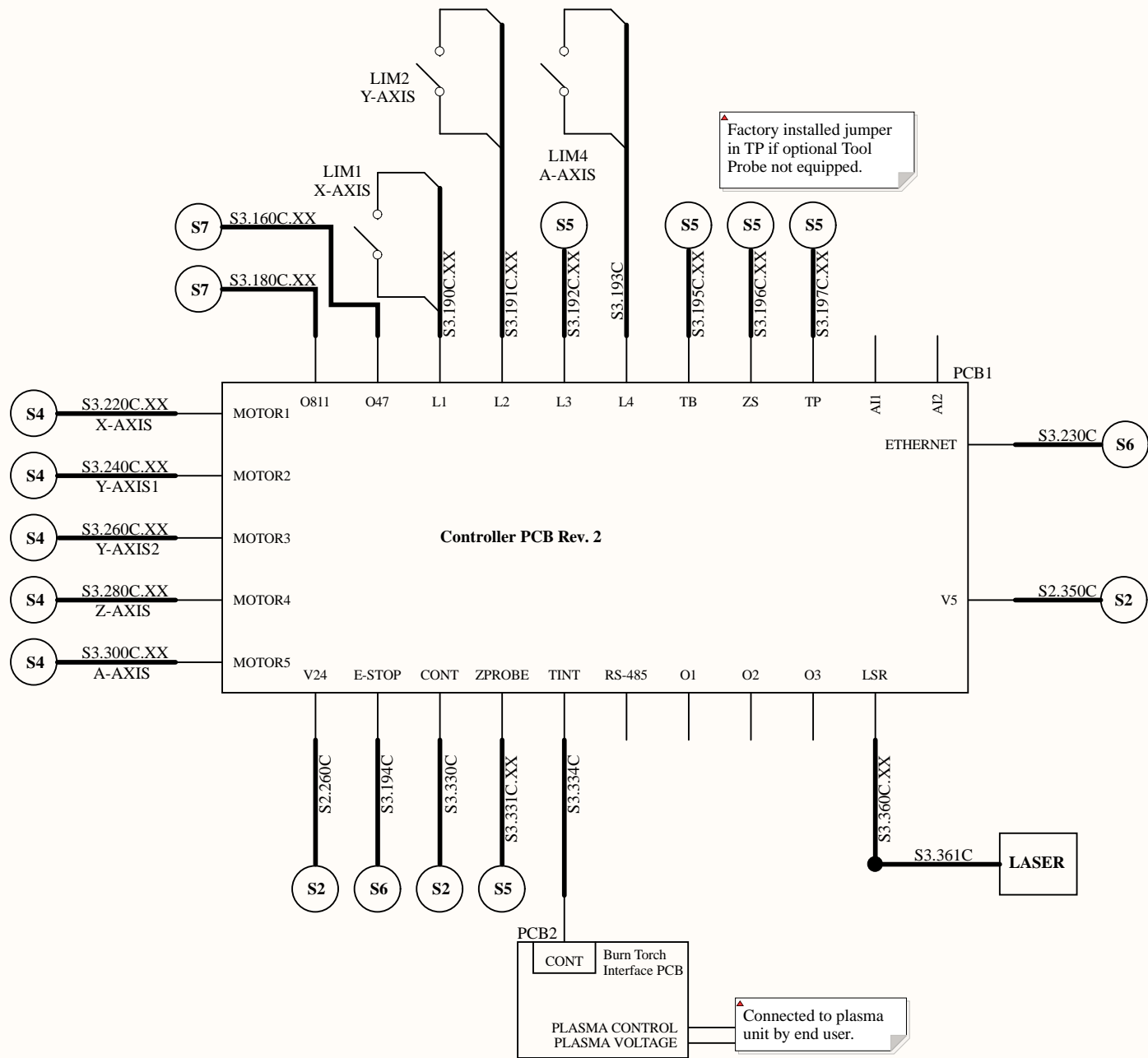


Table Size	XX
4' x 4'	44
4' x 8'	48
5' x 10'	51

NAME	DATE
DKH	10/2016
DKH	03/2017

MAD Series Plasma Table		
Sheet Name: Controller		Rev: 3
Date: 4/14/2017	Sheet 3 of 7	Size: Letter



A

A

B

B

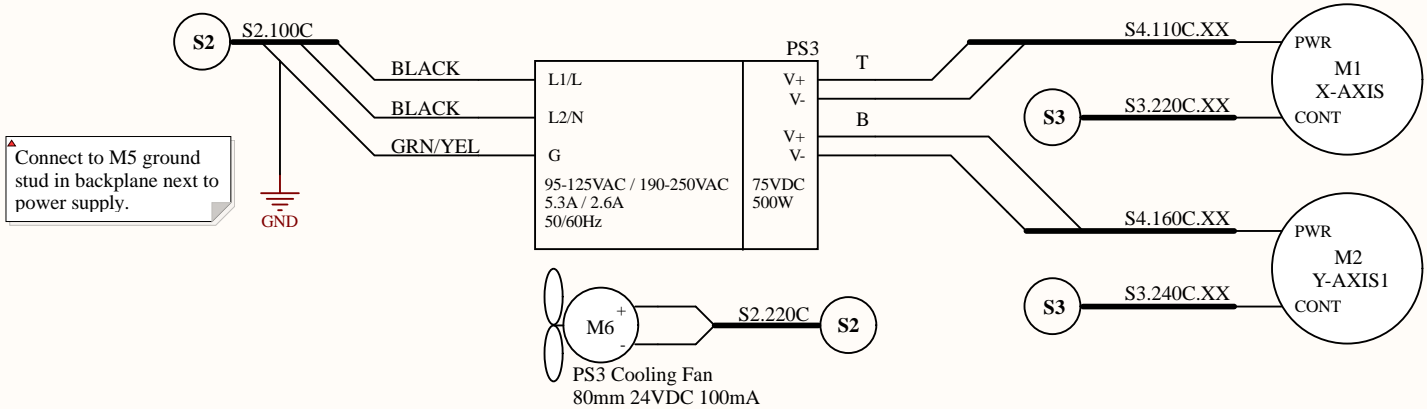
C

C

D

D

100  
110  
120  
130  
140  
150  
160  
170  
180  
190  
200  
210  
220  
230  
240  
250  
260  
270  
280  
290  
300  
310  
320  
330  
340  
350  
360  
370  
380  
390  
400  
410  
420  
430  
440



Connect to M5 ground stud in backplane next to power supply.

Connect to M5 ground stud in backplane next to power supply.

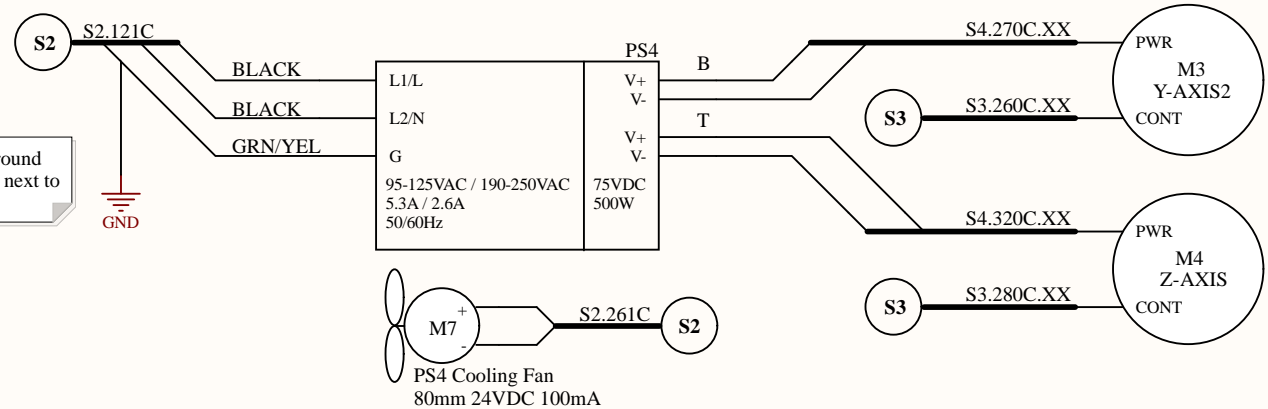
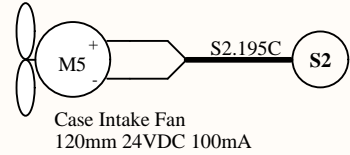
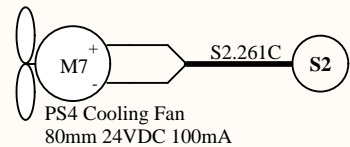
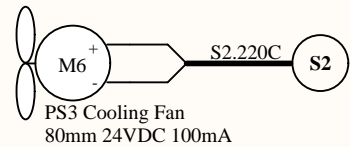


Table Size	XX
4' x 4'	44
4' x 8'	48
5' x 10'	51

NAME	DATE
DKH	10/2016
DKH	03/2017

MAD Series Plasma Table		
Sheet Name: Servo Motors		Rev: 3
Date: 4/14/2017	Sheet 4 of 7	Size: Letter



100  
110  
120  
130  
140  
150  
160  
170  
180  
190  
200  
210  
220  
230  
240  
250  
260  
270  
280  
290  
300  
310  
320  
330  
340  
350  
360  
370  
380  
390  
400  
410  
420  
430  
440

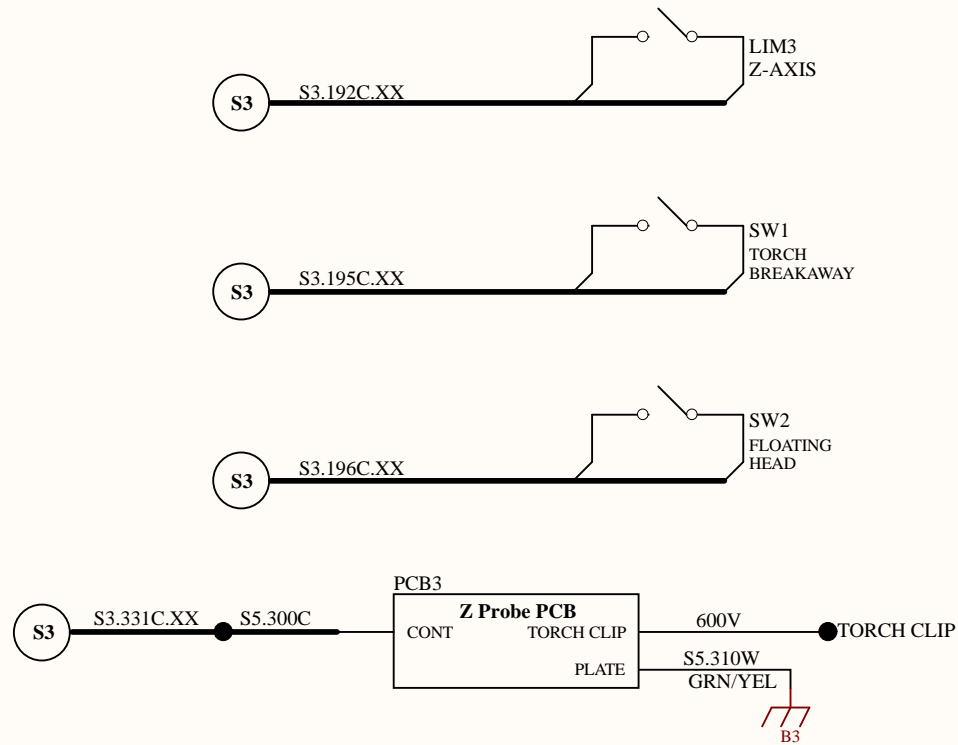


Table Size	XX
4' x 4'	44
4' x 8'	48
5' x 10'	51

NAME	DATE
DKH	10/2016
DKH	03/2017

### MAD Series Plasma Table

Sheet Name: Z-Harness

Rev: 3

Date: 4/14/2017

Sheet 5 of 7

Size: Letter



100  
110  
120  
130  
140  
150  
160  
170  
180  
190  
200  
210  
220  
230  
240  
250  
260  
270  
280  
290  
300  
310  
320  
330  
340  
350  
360  
370  
380  
390  
400  
410  
420  
430  
440

### USER CONTROL PC

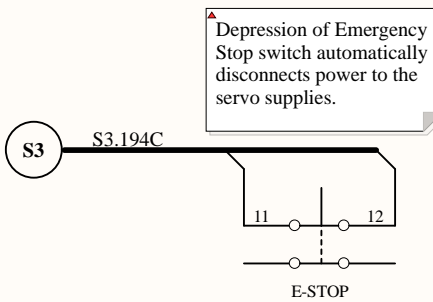
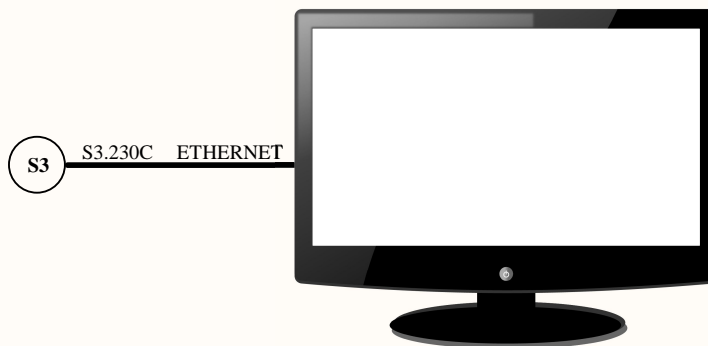


Table Size	XX
4' x 4'	44
4' x 8'	48
5' x 10'	51

NAME	DATE
DKH	10/2016
DKH	03/2017

MAD Series Plasma Table		
Sheet Name: Operator Station		Rev: 3
Date: 4/14/2017	Sheet 6 of 7	Size: Letter



100  
110  
120  
130  
140  
150  
160  
170  
180  
190  
200  
210  
220  
230  
240  
250  
260  
270  
280  
290  
300  
310  
320  
330  
340  
350  
360  
370  
380  
390  
400  
410  
420  
430  
440

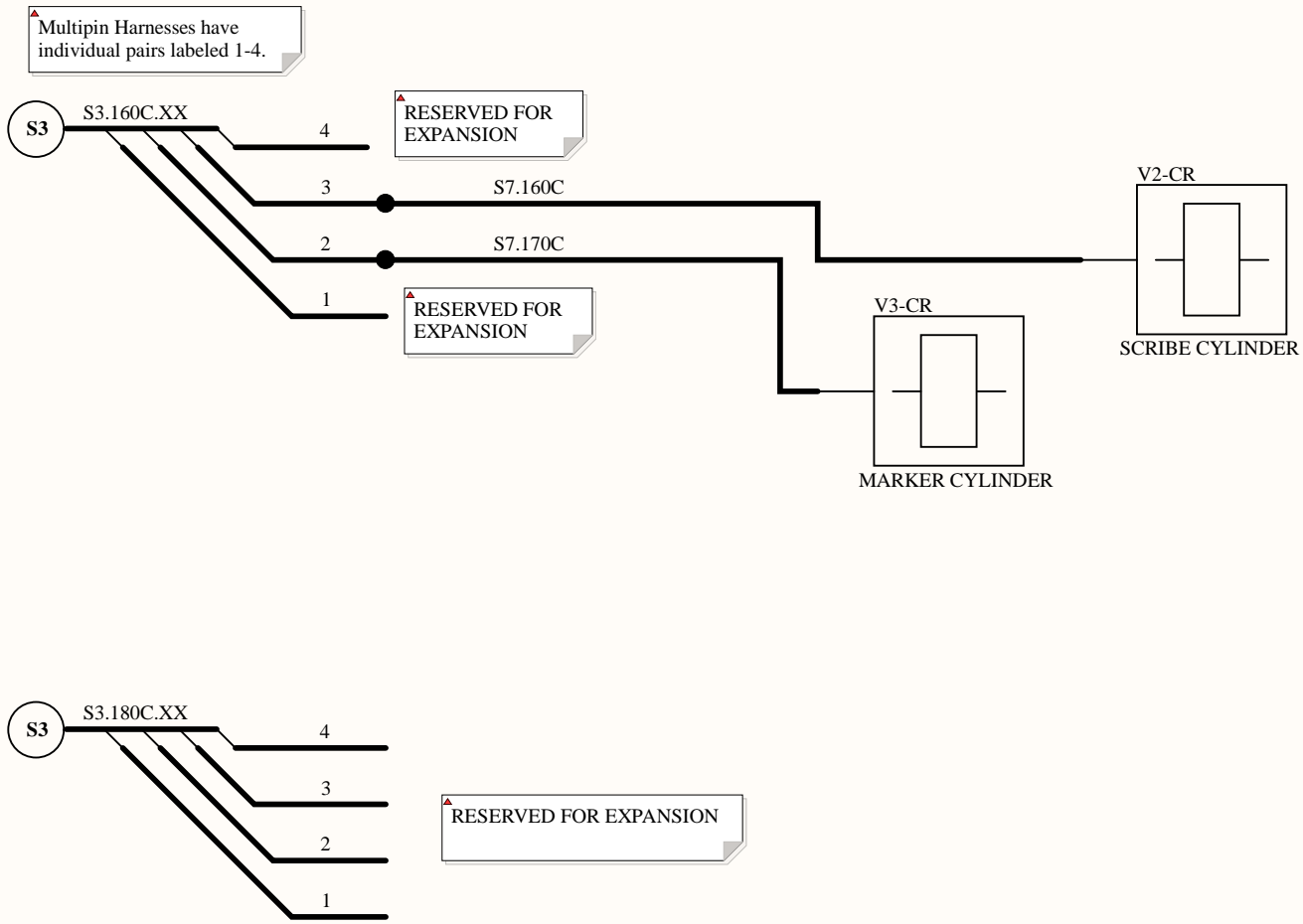


Table Size	XX
4' x 4'	44
4' x 8'	48
5' x 10'	51

NAME	DATE
DKH	10/2016
DKH	03/2017
DKH	06/2017

<b>MAD Series Plasma Table</b>		
Sheet Name: <b>Outputs</b>		Rev: <b>3</b>
Date: <b>6/15/2017</b>	Sheet <b>7</b> of <b>7</b>	Size: <b>Letter</b>

